

Monitoring the SDGs from a Gender Perspective: UN Women's contribution



ESCAP Sub-regional workshop on Data and Statistics for
the Sustainable Development Goals (SDGs)
Almaty, Kazakhstan, 26 September 2016



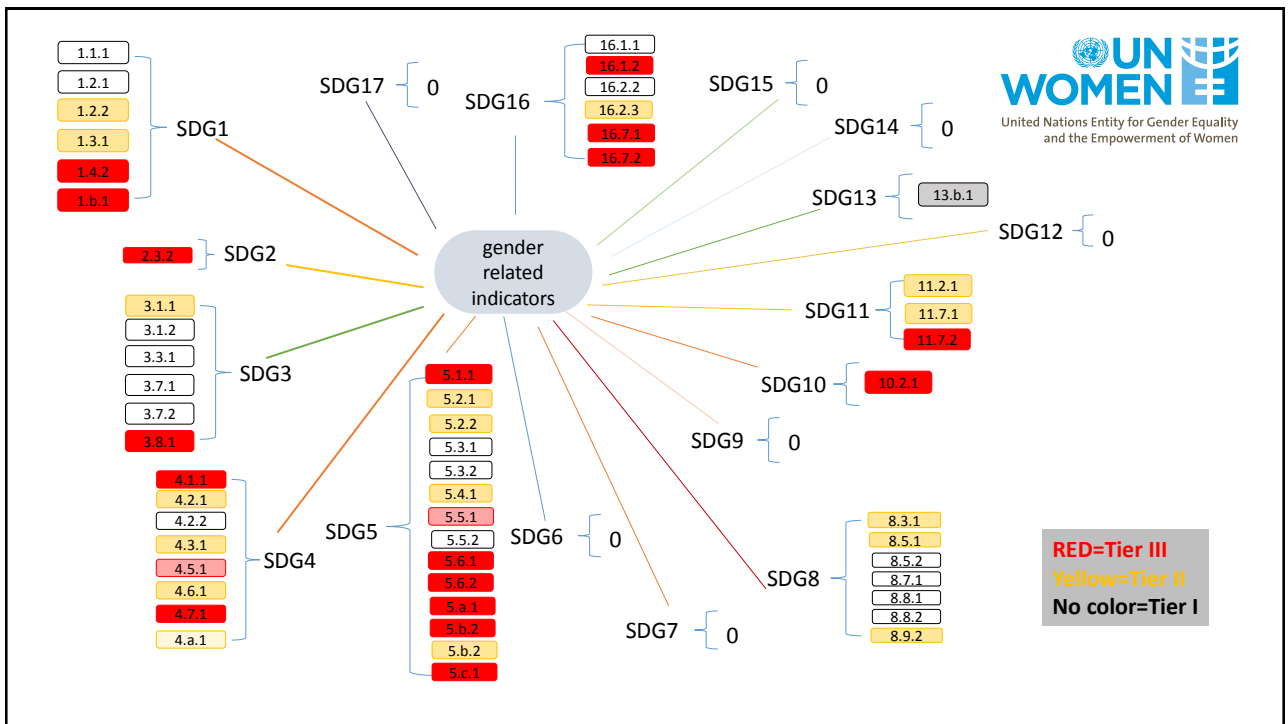
Overview

- List of gender-related indicators in the SDG framework
- What UN Women is working on
- Relevance of data disaggregation for 'leave no one behind'
- Other relevant disaggregations from a gender perspective...
- UN Women's related work at global level



Goals	# of Targets	# of indicators	# of gender related indicators
1 (poverty)	7	9	6
2 (hunger)	8	14	1
3 (health)	13	26	6
4 (education)	10	11	8
5 (gender)	9	14	14
6 (WaSH)	8	11	0
7 (energy)	5	6	0
8 (growth & empl.)	12	17	7
9 (infras/indust/innov)	8	12	0
10 (inequality)	10	11	1
11 (cities)	10	15	3
12 (consumption/prod)	11	13	0
13 (climate change)	5	7	1
14 (oceans/marine)	10	10	0
15 (terrestrial ecosyst)	12	14	0
16 (peace/justice/instit)	12	23	6
17 (global partnership)	19	25	0
Sum	169	230*	53

53 of 230 indicators or 23% of the global framework make specific reference to women, girls, gender or sex, including 14 indicators in Goal 5



UN Women is working on...



By definition most of the methodological work being done now on SDG indicators will focus on development of Tier 3 indicators.

UN Women is leading on the methodological work of three Tier III indicators, these are 5.1.1; 5.5.1(b); and 5.c.1. The metadata for each of these includes a description of the indicator and UN Women's plans for further development of these indicators.

- **5.1.1:** Concept paper prepared by an expert, Expert Group Meeting held in June, partners UNWOMEN/OECD/WB currently working on final formulation of indicator and its sub-components. Fielding and testing taking place in 2017, presentation of proposed methodology to IAEG-SDGs and Statistical Commission tentatively planned for March 2017.
- **5.5.1(b):** 5.5.1 has two components, proportion of women in parliament and proportion of women in local government. No international standard exists for measuring the latter. UN Women conducting in-house study on definition of local government across country (review of constitutions/electoral laws, etc) and developing a proposal for global monitoring. Expert Group Meeting to discuss proposed methodology with academic/CSO/government experts planned for November 2016.
- **5.c.1:** Conceptual work has not fully begun yet; internal consultation with UN Women regional colleagues earlier this year on gender budgeting informed write up of the metadata. Full concept note however will be developed over the coming months. Expert slated to write it, starting November 2017.

Importance of data disaggregation

- Reliance on aggregates mask what is happening at the individual level...
- **'leave no one behind' means targets can only be considered achieved if they have been met "for all peoples and for all segments of society"**
- Agenda 2030 also calls for **'reaching the furthest behind first'** ...in order to measure progress detailed information is needed about the most vulnerable.
- Profiles of the 'left behind' ... who is being excluded?



The Challenges (discussed in UNICEF/UNSD meeting on disaggregation)

- Cost to collect and analyze / feasibility
- Quality
- Sample sizes
- Confidentiality

Absence of relevant populations in sample:

- Household surveys will not include institutional populations, homeless, etc
- School based surveys will be confined to children attending school
- Administrative data may cover only those enjoying services
- and more



One example: Specific target under Goal 5 to *Achieve gender equality and empower all women and girls*



Target 5.2 Eliminate all forms of violence against all women and girls in the public and private spheres, including trafficking and sexual and other types of exploitation *Tier II indicators:*

- Indicator 5.2.1** Proportion of ever-partnered women and girls aged 15 years and older subjected to physical, sexual or psychological violence by a current or former intimate partner in the previous 12 months, by form of violence and by age
- Indicator 5.2.2** Proportion of women and girls aged 15 years and older subjected to sexual violence by persons other than an intimate partner in the previous 12 months, by age and place of occurrence

Desired variables for disaggregation

For both indicators:

- age
- income/wealth,
- education,
- ethnicity (including indigenous status),
- disability status,
- geographic location
- frequency of violence

For indicator 5.2.2:

- Relationship with the perpetrator (including sex of perpetrator)
- type of sexual violence (as proxy to severity)

Challenges:

- Methodological
- Availability of data
- Small/zero samples/cells



Going beyond disaggregation....

- *Consider other appropriate methodologies and data sources, such as use of oversampling or targeted sampling techniques to capture incidences and trends of discrimination on specific groups, i.e. alternatives to nationally representative surveys*
- *Leveraging contributions of non-traditional sources and collectors of data (e.g. by working with civil society organizations carrying out data collection in specific domains with specific communities).*



UN Women on-going work

- UN Women's SDG monitoring report (early 2018): global stocktaking of SDG gender-related indicators, including innovative approaches for addressing data gaps
- UN Women is also involved in other goals through our global and regional/national programmatic work, e.g. SDG 16; SDG 8, etc but we are not the primary data collection agency for those indicators and thus not actively involved in development of indicators in these other goals

